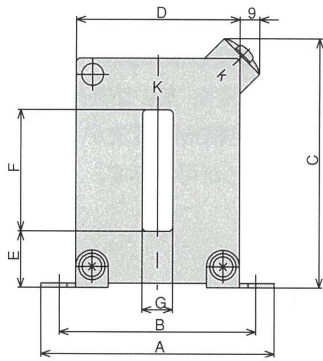


CT-MS シリーズ

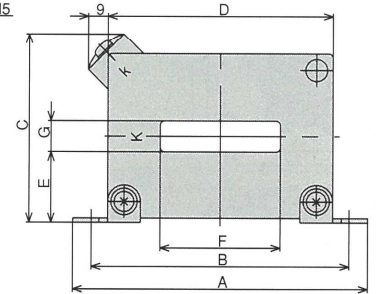
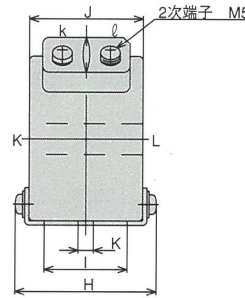
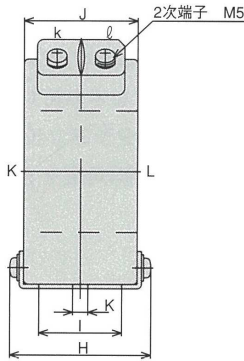
【比誤差及び位相角の限度】

| 限度 | 比誤差 (%) | | | 位相角 (min) | | |
|------------|---------|-------|-------|-----------|-------|-------|
| | 0.05In | 0.2In | 1.0In | 0.05In | 0.2In | 1.0In |
| 確度階級 1.0 級 | ±3.0 | ±1.5 | ±1.0 | ±180 | ±90 | ±60 |

※In は、定格周波数の定格一次電流を表します。



【たて取付け】



【よこ取付け】

【CT-MS シリーズ仕様寸法一覧表】

| 形名 | 定格 1 次電流 (A) | 定格 2 次電流 (A) | 定格負担 (VA) | 確度階級 (級) | 周波数 (Hz) | 最高電圧 (V) | 過電流強度(倍) | 質量 (kg) |
|---------|---------------------|--------------|-----------|----------|----------|----------|----------|---------|
| CT-15MS | 150 | 5 | 15 | 1.0 | 50/60 | 1150 | 40 | 2.2 |
| | 200,250,300 | | | | | | | 1.3 |
| | 400,500,600,750 | | | | | | | 0.8 |
| | 1000,1200,1500,2000 | | | | | | | 1.4 |
| | 2500,3000,4000 | | | | | | | 4.0 |
| CT-40MS | 200,250 | 5 | 40 | 1.0 | 50/60 | 1150 | 40 | 2.2 |
| | 300,400,500 | | | | | | | 1.3 |
| | 600,750,800 | | | | | | | 1.1 |
| | 1000,1200,1500,2000 | | | | | | | 1.4 |
| | 2500,3000,4000 | | | | | | | 4.0 |

■ たて取付け

| 形名 | 定格 1 次電流 (A) | たて取付け寸法 (mm) | | | | | | | | | | |
|---------|--------------|--------------|-----|-----|-----|----|-----|----|----|----|----|----|
| | | A | B | C | D | E | F | G | H | I | J | K |
| CT-15MS | 150 | 112 | 95 | 114 | 77 | 26 | 55 | 14 | 95 | 68 | 82 | 9 |
| CT-40MS | 200-250 | | | | | | | | | | | |
| CT-15MS | 200-300 | 107 | 90 | 114 | 75 | 26 | 55 | 14 | 65 | 38 | 52 | 7 |
| CT-40MS | 300-500 | | | | | | | | | | | |
| CT-15MS | 400-750 | 93 | 76 | 96 | 61 | 17 | 55 | 14 | 65 | 38 | 52 | 7 |
| CT-40MS | 600-800 | 110 | 90 | 125 | 65 | 19 | 80 | 14 | 65 | 38 | 52 | 9 |
| CT-15MS | 1000-2000 | 142 | 122 | 144 | 97 | 16 | 105 | 28 | 65 | 38 | 52 | 9 |
| CT-40MS | | | | | | | | | | | | |
| CT-15MS | 2500-4000 | 212 | 192 | 228 | 162 | 31 | 160 | 48 | 78 | 48 | 62 | 11 |
| CT-40MS | | | | | | | | | | | | |

■ よこ取付け

| 形名 | 定格 1 次電流 (A) | よこ取付け寸法 (mm) | | | | | | | | | | |
|---------|--------------|--------------|-----|-----|-----|----|-----|----|----|----|----|----|
| | | A | B | C | D | E | F | G | H | I | J | K |
| CT-15MS | 150 | 140 | 123 | 86 | 103 | 33 | 55 | 14 | 95 | 68 | 82 | 9 |
| CT-40MS | 200-250 | | | | | | | | | | | |
| CT-15MS | 200-300 | 135 | 118 | 86 | 103 | 32 | 55 | 14 | 65 | 38 | 52 | 7 |
| CT-40MS | 300-500 | | | | | | | | | | | |
| CT-15MS | 400-750 | 117 | 100 | 72 | 85 | 25 | 55 | 14 | 65 | 38 | 52 | 7 |
| CT-40MS | 600-800 | 159 | 139 | 76 | 114 | 28 | 80 | 14 | 65 | 38 | 52 | 9 |
| CT-15MS | 1000-2000 | 178 | 158 | 108 | 133 | 37 | 105 | 28 | 65 | 38 | 52 | 9 |
| CT-40MS | | | | | | | | | | | | |
| CT-15MS | 2500-4000 | 266 | 246 | 174 | 216 | 60 | 160 | 48 | 78 | 48 | 62 | 11 |
| CT-40MS | | | | | | | | | | | | |